

ARGUS[®] 141

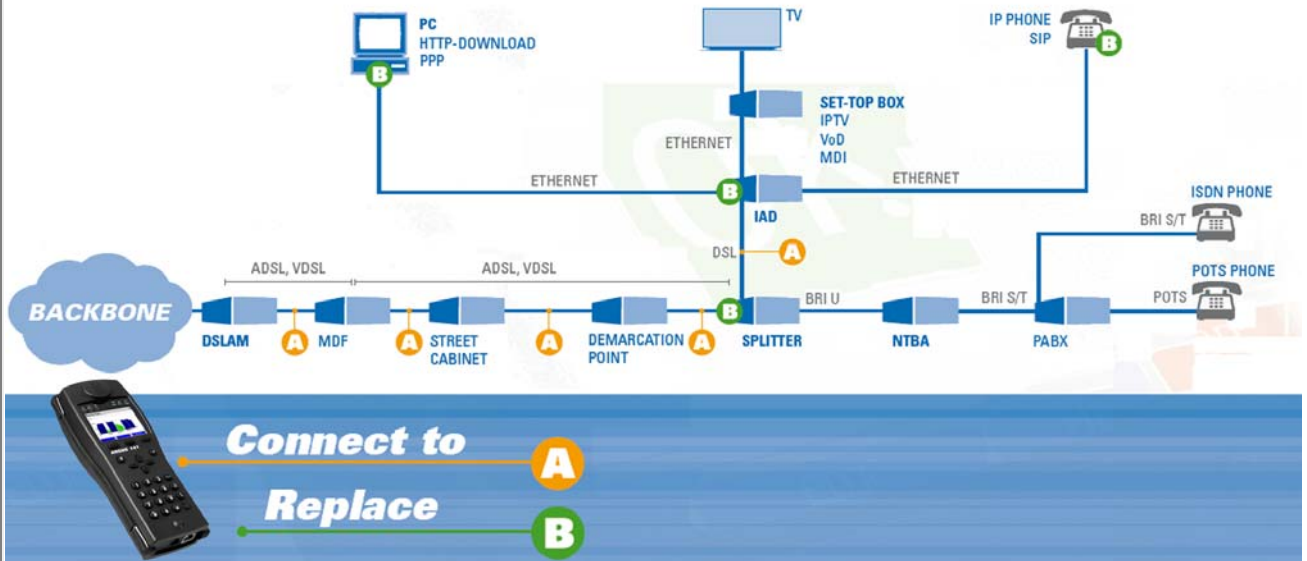
VDSL + ADSL SERVICE TESTER



- VDSL
- ADSL
- DATA
101101011011
- VO IP
- MOS
- PC
- USB

intec

GESELLSCHAFT FÜR
INFORMATIONSTECHNIK mbH



The ADSL + VDSL and service tester

The ARGUS[®]141 tests VDSL and ADSL with no module swapping. This convenient handheld tester equipped with a colour display supports VDSL2 (all profiles and bandplans) and ADSL (Annex A, Annex B and Annex M), both interfaces are integrated in a single device. Separate chipsets for ADSL and VDSL ensure optimum results, highest interoperability and reach/rate performance on both types of access.

Service testing: Voice over IP (VoIP)

In addition to this functionality the ARGUS also offers support for testing VoIP via the xDSL interfaces. Besides simulating a terminal, it also provides extensive statistics and evaluates voice quality in accordance with various proven techniques, e.g. MOS.

Ping, trace route and download tests

The ARGUS[®]141 is also well equipped for checking Internet connectivity as it has IP ping and trace route functions as well as download tests. Rounding out the package, the ARGUS[®]141 can operate in xDSL bridge mode, for modem replacement tests.

In view of the above set of features, it is obvious that the ARGUS[®]141 offers an extensive range of measurement functions for troubleshooting ADSL and VDSL interfaces. Nonetheless, it should not be overlooked that this tailored set of features has been packed into an extremely small and handy device; one that is not only extremely compact and convenient to use in the field - wherever that location might be - but also ready for use in no time. Consciously it was set on the well known intuitive ARGUS menu navigation, available in many different languages.

Easy operation

The ARGUS[®]141 is also extremely easy to use. It has a large (320 x 240 pixels) colour display, uses context-sensitive softkeys and has an USB client interface to connect a PC. The tester has an Ethernet interface for bridge mode operation and uses a high-capacity, long-life lithium-ion battery pack. If required, a second battery pack can be taken along and swapped in the field. No tools required.

About us

intec Gesellschaft für Informationstechnik mbH is developing high-quality products for the international telecommunications market for more than 20 years and is one of the leading suppliers of xDSL, ISDN and IP measurement technology in Europe today.

The successful ARGUS measurement equipment enables its users to conveniently and safely commission and troubleshoot xDSL and ISDN accesses as well as those services that are based on these interfaces such as VoIP and IPTV. ARGUS testers are designed to meet the day-to-day needs of staff in the field; consequently intec engineers focus on ensuring high-quality measurement in a compact device that is exceptionally uncomplicated to use.

The portfolio of ARGUS testers, software and analysers benefits from continual further development and is kept up-to-date with support for the latest standards for all the common access types and protocols as well as for the newest features of the Next Generation Networks (NGN) and Triple Play.

Throughout the world, numerous telecommunication companies have come to appreciate and rely on the advantages offered by intec equipment; to name just a few Deutsche Telekom, Saudi Telecom, Telefonica, KPN, British Telecom and Telekom Austria.



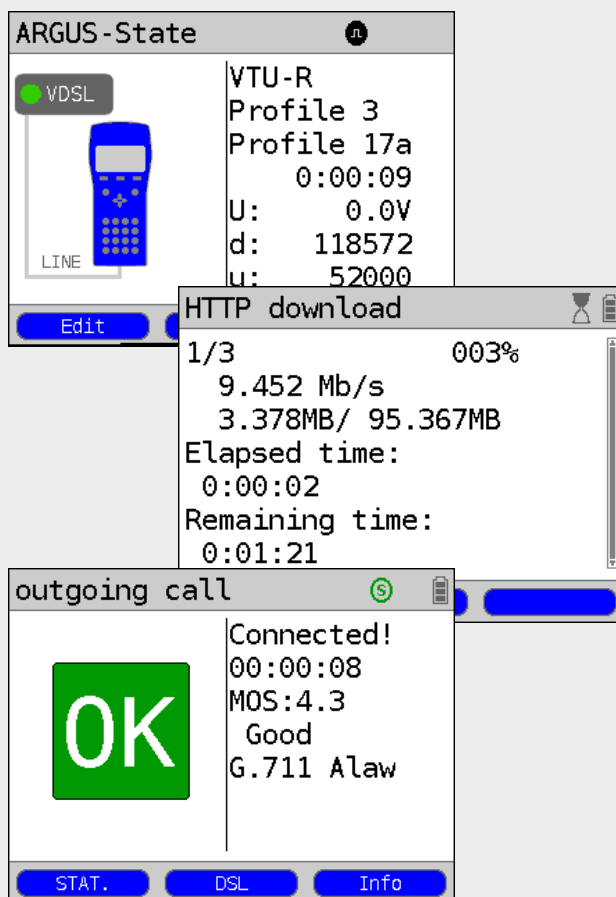
ARGUS[®] MADE IN GERMANY

VDSL + ADSL and Service Tester

The ARGUS®141 is a compact xDSL handheld tester for troubleshooting ADSL, ADSL2/2+ and VDSL2 accesses, including the measurement of the DC voltage on the line.

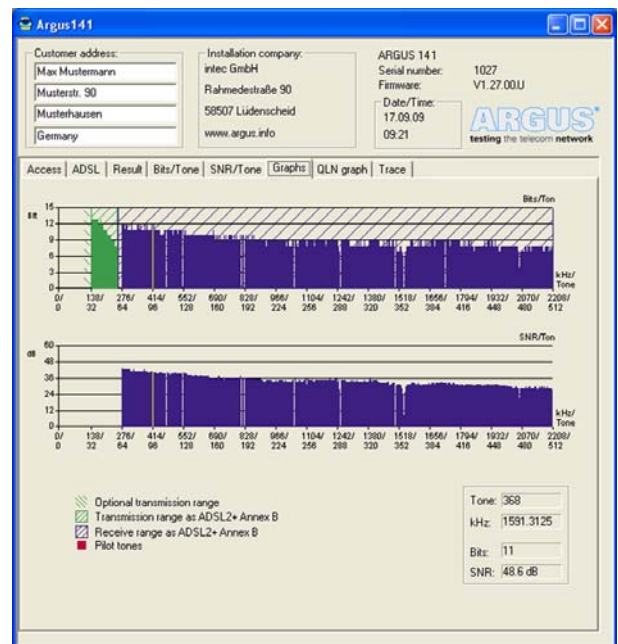
Interfaces:

- **ADSL2/2+** + modem simulation, ADSL tester, ATU-R
 - Supports amongst others the ITU-T G.992.3 Annex A/B/M
 - Optional bridge and PC replacement modes
 - Automatic measurement and display of all available up- and downstream parameters and error counters
 - Latest ADSL chipset for best performance
- **VDSL2** modem simulation, VDSL tester, VTU-R
 - Supports the ITU-T G.993.2 (all profiles and band plans)
 - Optional bridge and PC replacement modes
 - Automatic measurement and display of all available up- and downstream parameters and error counters
 - Separate VDSL chipset for best performance



Service testing (Double Play) via ADSL and VDSL2:

- **Data:** evaluating the net throughput using real data rates
 - PPP login and IP testing via IP ping and IP trace route
 - HTTP download tests for throughput determination
- **Voice:** testing VoIP (Voice over IP) connections
 - VoIP terminal simulation, including acoustics (misc. codecs)
 - OK / FAIL evaluation and display of all relevant quality (QoS) and connection parameters
 - Evaluation of speech quality according to ITU-T P.800 MOS_{QOE} basing on E model in accordance with ITU-T G.107



(ADSL test report, recorded with WINplus PC software)

Documentation and analysis:

- **Documentation** of all the parameters recorded via automatic access tests in test reports (in device and on PC)
- **Data transfer** to the PC via USB client interface (Mini-USB)
- **WINplus PC software** for generating test reports and for configuring the ARGUS via PC (optional)

Further highlights:

- Large brilliant QVGA colour display (LCD) with 320 x 240 pxs.
- Lightweight, compact and easy to use
- Intuitive menu navigation and instant readiness for operation
- Free firmware updates from www.argus.info/en



Technical features:

- **Power supply** via Li-Ion battery pack or mains adaptor
- **Hotkeys** for quick execution of various single tests
- **Powermanagement**, user-defined
- **Keypad**: 18 keys, 4 cursor keys, 3 context-specific softkeys
- **LCD colour display** (QVGA - 320 x 240 pxs.), w/ backlight
- **LEDs**: 6 LEDs to indicate the status
- **Handset** with integrated earpiece and microphone
- **CE marking**: complies with CE directives
- **User safety**: EN 61010-1, EN 60950
- **RoHS** conformance according to WEEE directive
- **Top quality** management certified according to DIN EN ISO 9001

Interfaces:

- **RJ-45** as line in-/output
- **Ethernet RJ-45** (10/100 Base-T) for bridge mode operation
- **USB client** interface (type Mini-B)

Environmental conditions:

- **Operating temperature**: 0°C (32°F) up to +50°C (122°F)
- **Storing temperature**: -15°C (5°F) up to +70°C (158°F)
- **Relative humidity**: up to 95 %, non-condensing

Dimensions:

- **Size**: H x W x D: 235 x 97 x 55 mm (9.25 x 3.8 x 2.2 in)
- **Weight**: ca. 710 g (1.6 lbs) - incl. battery pack

Standard package:

ARGUS®141 with Li-Ion battery pack, mains adaptor, VDSL interface with test leads, user manual and Mini-USB cable

Basic package:

ARGUS 142 VDSL

Order number: 114102



GESELLSCHAFT FÜR
INFORMATIONSTECHNIK mbH

Rahmedestraße 90
D-58507 Lüdenscheid

Tel: +49 2351 9070-0
Fax: +49 2351 9070-70

E-Mail: sales@argus.info
Internet: www.argus.info/en



Options:

Additional interfaces:

(every optional package includes the necessary test leads)

ADSL Annex A interface

Order number: 014105 (interface)

or 014145 (extension, only in conjunction with 014106)

ADSL Annex B interface

Order number: 014106 (interface)

or 014146 (extension, only in conjunction with 014105)

Additional test features:

(depends on interfaces installed)

Bridge mode (ADSL, VDSL)

Order number: 014120

IP ping (via ADSL, VDSL, Ethernet)

Order number: 014123

IP HTTP download (via ADSL, VDSL, Ethernet)

Order number: 014124

VoIP test (via ADSL, VDSL, Ethernet)

Order number: 014115

Additional PC software:

(for Windows operating systems)

WINplus

Order number: 010012